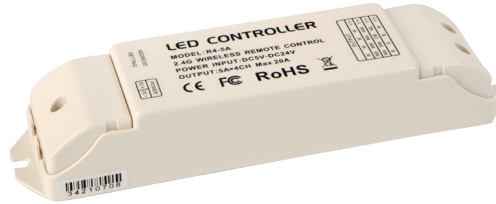


NOVEDAD

V8

RGB  
+ W

2,4  
GHz



## CONTROLADOR RGBW SERIE V , 4 ZONAS

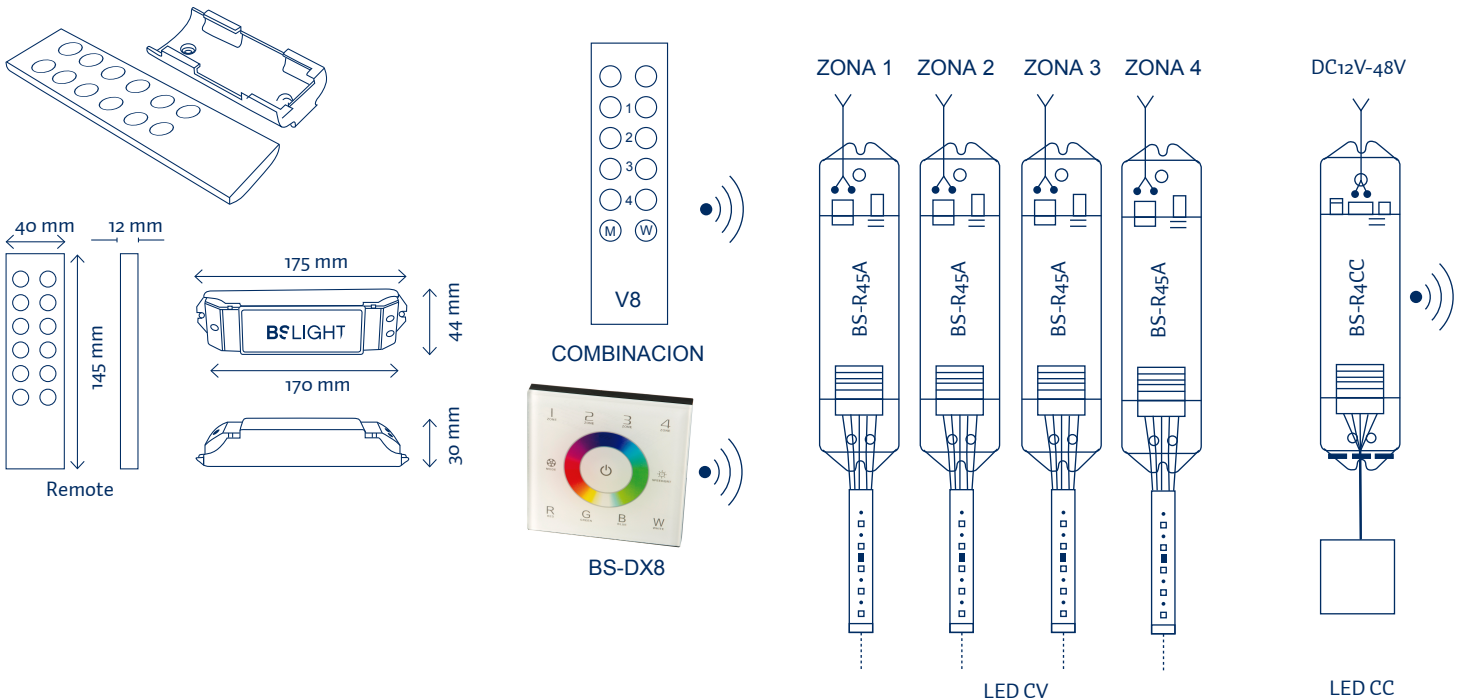
### RGBW CONTROLLER SERIE V, 4 ZONES



Sistema de control RGBW compuesto de emisor V8 y receptores. Emisión a 2,4GHz para evitar interferencias. Receptores RF inalámbricos sin necesidad de cablear entre ellos.

RGBW Control system is composed by V8 transmitter with receiver. Issued to 2,4GHz to avoid interferences. Wireless receivers do not to wire up to each other.

FUENTES Y CONTROLADORES /  
DRIVERS AND CONTROLLERS



	ALIMENTACIÓN POWER SUPPLY	CARGA MÁX. MAX. CHARGE	MEDIDAS MEASURE	COMENTARIO REMARKS
BS-V8	3VDC (CR2032)	-	145x40x12	Emisor RF 2,4GHz / RF transmitter
BS-R45A	5-24VDC	5A x 4 canales / channels	175x44x30	Receptor RF tensión constante para BS-V4 / Constant voltage RF receiver to BS-V4
BS-R4CC	12-48VDC	350/700/1050mA x 4 canales / channels	175x44x30	Receptor RF corriente constante para BS-V4 / Constant current RF receiver to BS-V4