

Multizona

RF y DMX

78
/
79



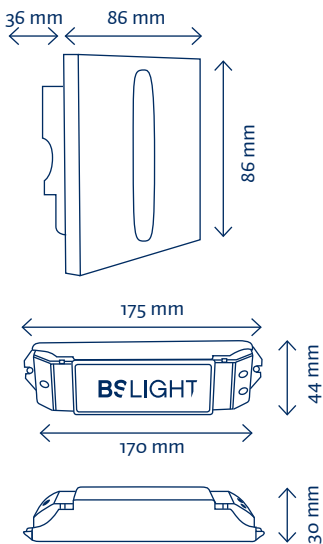
PANEL TÁCTIL MURAL MONOCOLOR RF + DMX

TOUCH PANEL MURAL SINGLE-COLOR + DMX



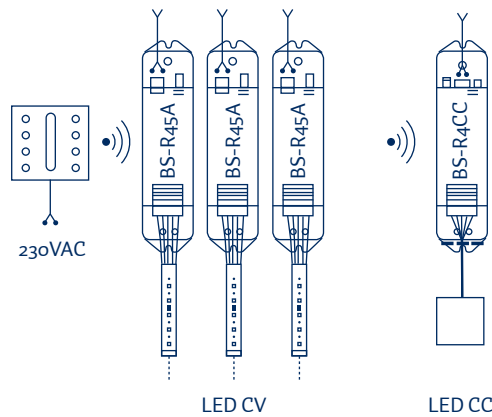
Sistema de control monocolor compuesto de panel táctil y receptores. Emisión a 2,4GHz para evitar interferencias. Receptores RF inalámbricos sin necesidad de cablear entre ellos. Posibilidad de controlar hasta 4 zonas independientemente. También se puede conectar mediante bus DMX con decodificadores estándar.

RGB control system is composed by a touch panel and receivers. Issued to 2,4GHz to avoid interferences. Wireless receiver RF do not need to wire up each other. They have the possibility to control 4 independent zones and also to connect through a standard bus DMX.

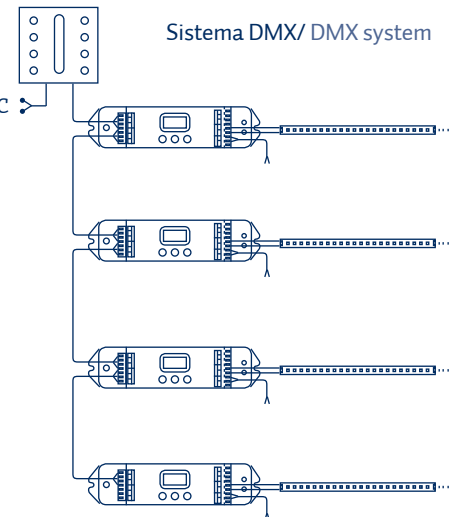


INSTALACIÓN BÁSICA / BASIC INSTALLATION

Sistema RF / RF system



Sistema DMX / DMX system



	ALIMENTACIÓN POWER SUPPLY	ZONAS ZONES	CARGA MÁX. MAX.CHARGE	MEDIDAS MEASURE	COMENTARIO REMARKS
BS-DX5	100-230VAC	4	-	145x55x22	Panel RF+DMX para 4 zonas monocolor/ RF panel +DMX for 4 monocolor zones
BS-R45A	5-24VDC	-	5A x 4 canales / channels	175x44x30	Receptor RF tensión constante para BS-DX5 / Constant voltage RF receiver to BS-DX5
BS-R4CC	12-48VDC	-	350/700/1050mA x 4 canales / channels	175x44x30	Receptor RF corriente constante para BS-DX5 / Constant current RF receiver to BS-DX5

Decodificadores DMX consultar página 84 / DMX decoders see page 84