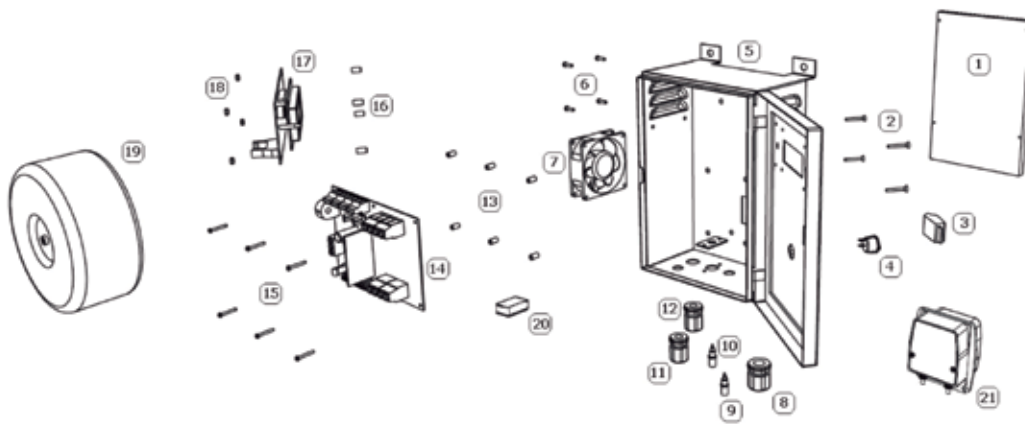


94 /



## SCH50PHK, SCH70PHK, SCH100PHK/ SCH50PHK-inox, SCH70PHK-inox, SCH100PHK-inox DESPIECE / SPARE PARTS

- 1 ref. P20025/320-K – radiador / radiator
- 2 ref. M3X25A x 4u – tornillos placa de control / control board screws
- 3 ref. 1265 – cierre puerta / latch door
- 4 ref. R13112AAA – interruptor / switch
- 4a ref. F0188LOAAA – protector de interruptor / switch protector
- 5 ref. 400X300X150-E-K – caja / box
- 6 ref. TCH4,8X13 x 8u – tornillos ventilador / fan screws
- 7 ref. MA2082HVLGN x 2u – ventilador / fan
- 8 ref. M25JSL – prensaestopas / compression gland
- 9 ref. 2337 – BNC / BNC
- 10 ref. 2337 – BNC / BNC
- 11 ref. M16JSL – prensaestopas / compression gland
- 12 ref. M20JSL – prensaestopas / compression gland
- 13 ref. SP79 x 6u – separadores de plastico / plastic inserts
- 14 ref. P910-K – placa de potencia / power board
- 15 ref. TCH2,9X19 x 6u – tornillos placa de potencia / power board screws
- 16 ref. SP85 x 4u – separadores de plastico / plastic inserts
- 17 ref. P906/6 – placa de control / control board
- 18 ref. TRM3 x 4u – tuerca sujeción / lock nut
- 19 ref. C2070N (SCH50) – transformador / converter  
ref. C2070V (SCH100) – transformador / converter
- 20 ref. P916 – arrancador electrónico / electronic starter
- 21 ref. PR4 – bomba peristáltica / peristaltic pump

ref. C2070U (SCH70) – transformador / converter