



## Características técnicas /Technical data

Alimentación /power supply	12/24V/Dc
Tipo de control /control type	PWM
Medidas /size	121x39x24mm
T° de trabajo/operating T°	-20°C~60°C
T° de almacenamiento/Storage T°	-20°C~80°C

Referencia  
ReferenceSeñal entrada  
Input signalSalida  
outputCarga Máx.  
Max.Charger

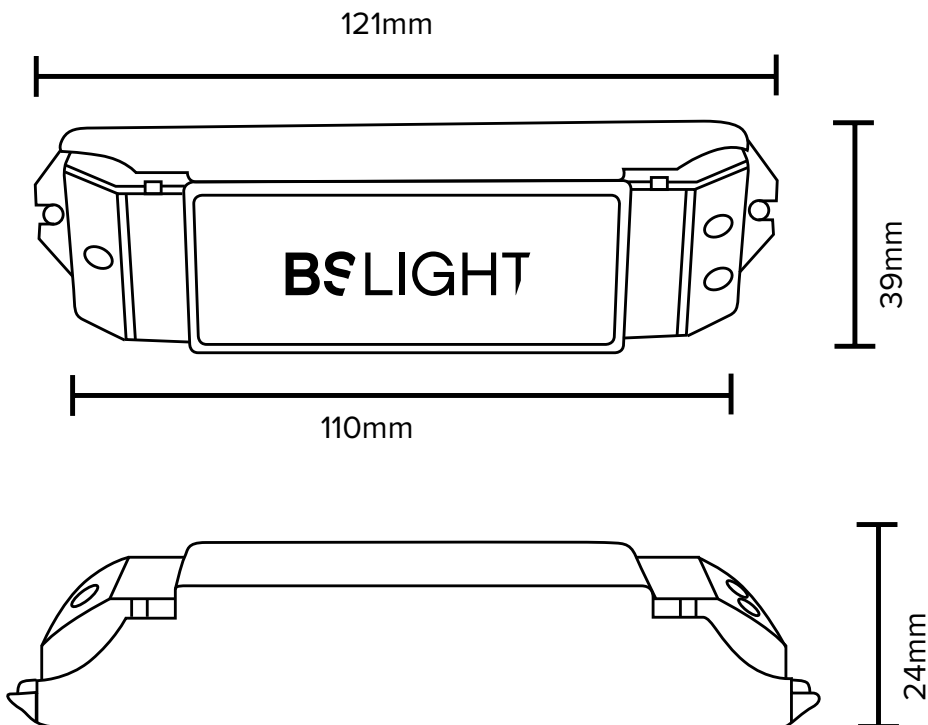
BS-DALI-10

PWM 12/24V/Dc

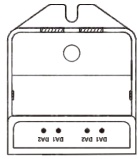
PWM 12-24V/Dc

12A por 1 canal

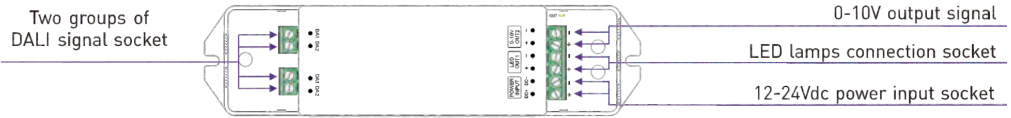
## Medidas/Size



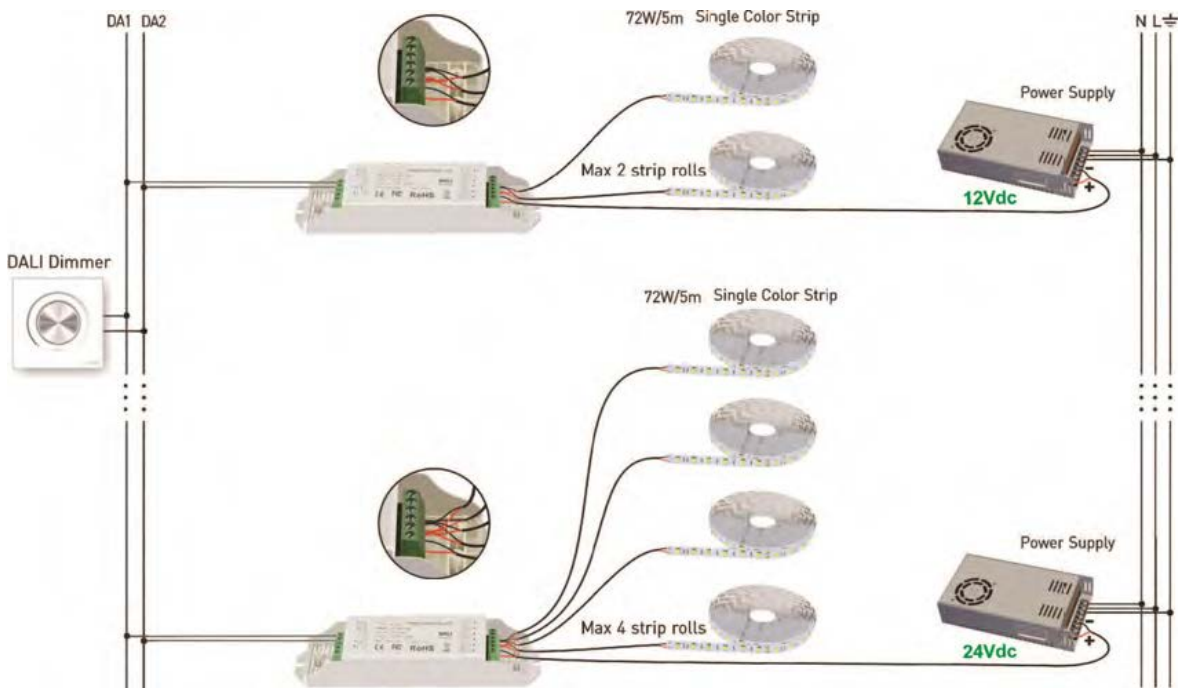
## Connections



DALI bus no need distinguish plus-minus polarity.



12V lamp connected, loads 0~144W(12V). 24V lamp connected, loads 0~288W(24V).



Providing DALI to 0-10V connect port, which is compatible to control 0-10V products in DALI control system, diagram example as below:

