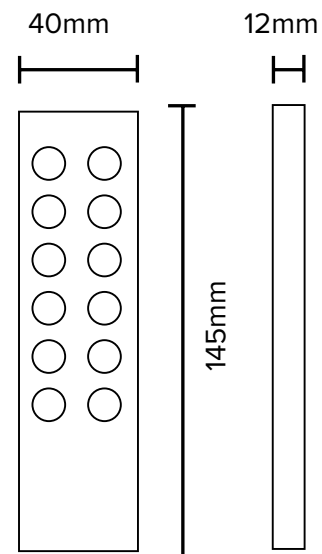
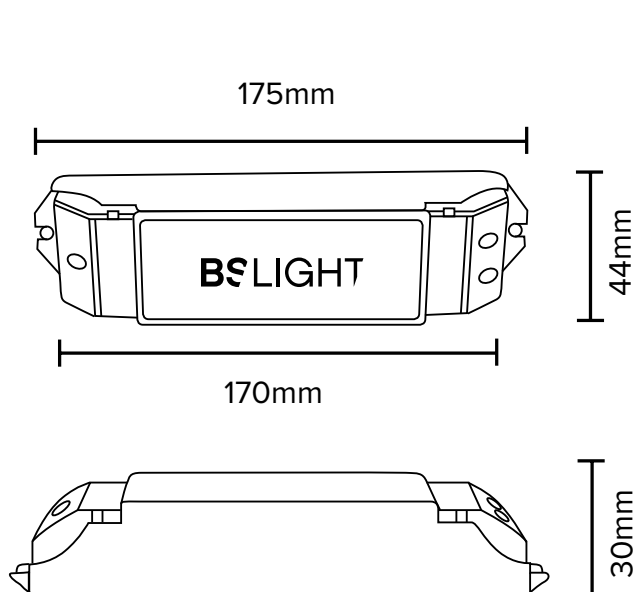


MONO
COLORMULTI
ZONA2,4
GHzCaracterísticas técnicas / Technical data

| | |
|---|-------------|
| Alimentación/ <i>power supply</i> | 3V/dc |
| Tipo de control/ <i>dimmmable surpport</i> | WIFI |
| Medidas Mando/ <i>remote control dimensions</i> | 145x40x12mm |
| Medidas Receptor/ <i>Receiver dimensions</i> | 175X44x30mm |
| Frec.de trabajo / <i>Work frequency</i> | 2.4Ghz |
| Dist. de señal del mando/ <i>Command signal distenace</i> | 30mts |

| Referencia Reference | Alimentacio Power supply | Zonas Zones | Medidas Measure | Carga Máx. Max.Charge |
|-------------------------|-----------------------------|----------------|--------------------|---|
| BS-V5 | 3 Vdc (CR2032) | 4 | 145x40x12 | ----- |
| BS-R45A | 5-24Vdc | -- | 175x44x30 | 5Ax4 Canales/ <i>Channels</i> |
| BS-R4CC | 12-48Vdc | -- | 175x44x30 | 350/700/1050ma x4 Canales/ <i>Channels</i> |

Medidas

Remote

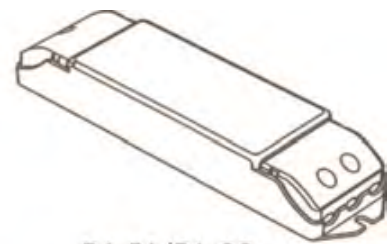


2.4G LED Dimming Controller Main

Characteristics

V5 RF Dimming Remote Control

Remote Option: Dimming, 4 Zones control 3Vdc
 Working Voltage: (Battery CR2032) 2.4GHz
 Wireless Frequency:
 Working Temperature: -30°C ~ 55°C
 Package Size: L150×W46×H18(mm) 85g
 Weight(G.W.):



R4-5A/R4-CC

R4-5A CV Receiver

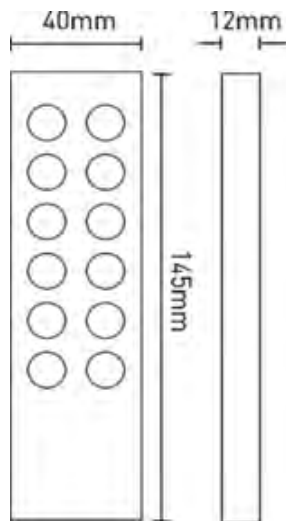
Input Voltage: 5~24Vdc
 Max Current Load: 5A × 4CH Max. 20A
 Max Output Power: 100W/240W/480W(5V/12V/24V)
 Working Temperature: -30 ~ 55
 Package Size: L178×W48×H33(mm)
 Weight(G.W.): 150g

Note: Receiver is sold separately.

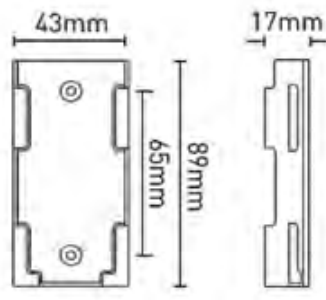
R4-CC CC Receiver

Input Voltage: 12~48Vdc
 Output Voltage: 3~46Vdc
 Output Current: CC 350/700/1050mA×4CH
 Output Power: 1.05W~48.3W×4CH Max 193.2W
 Working Temperature: -30 ~ 55
 Package Size: L178×W48×H33(mm)
 Weight(G.W.): 165g

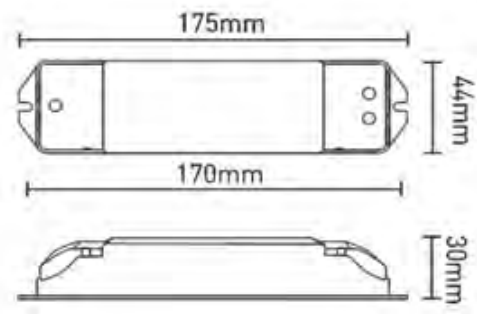
Dimensions



V5

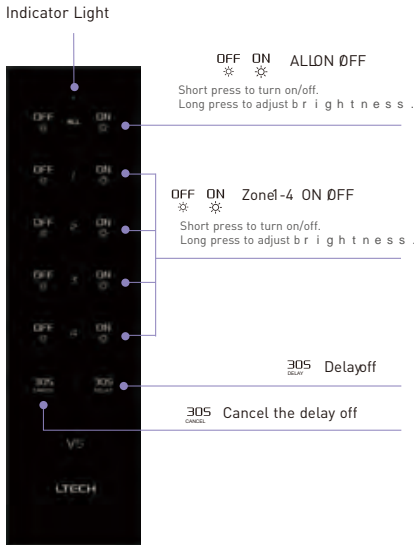


Holder

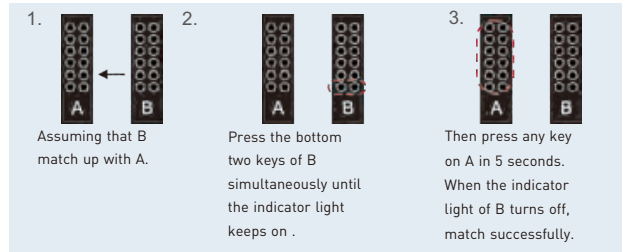


R4-5A/R4-CC

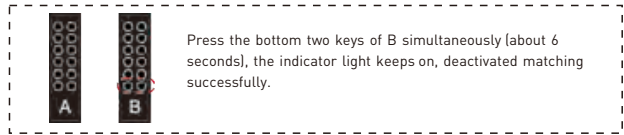
Operating Instruction for Remote:



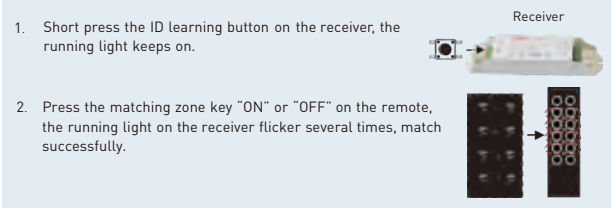
Match/Clear code between remotes Match code:



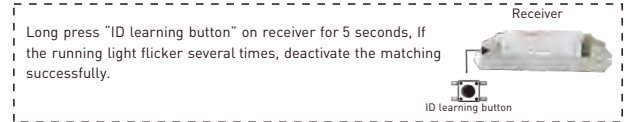
Clear code:



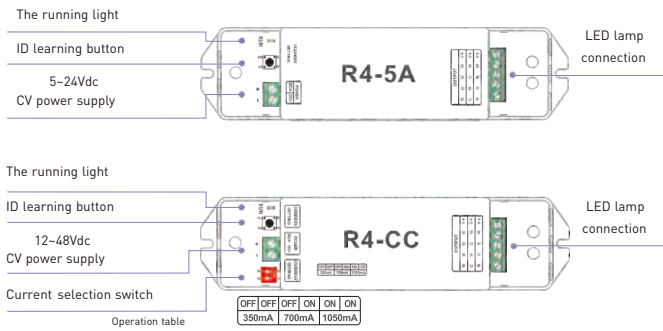
Match/Clear code between remote and receiver Match code:



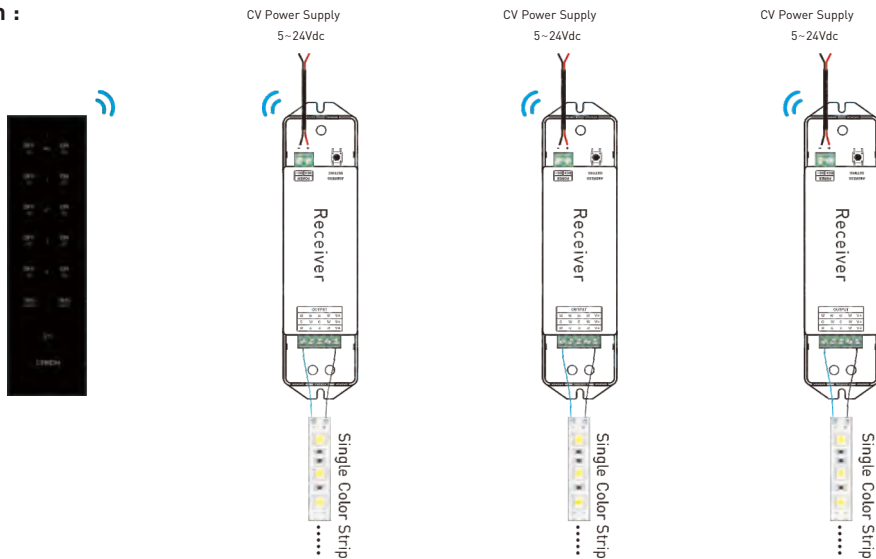
Clear code:



Operating Instruction for Receiver:



Wiring Diagram :



Attention:

- Please replace the battery if the remote becomes insensitive or control distance is shortened. Please take out the battery for long time unused.